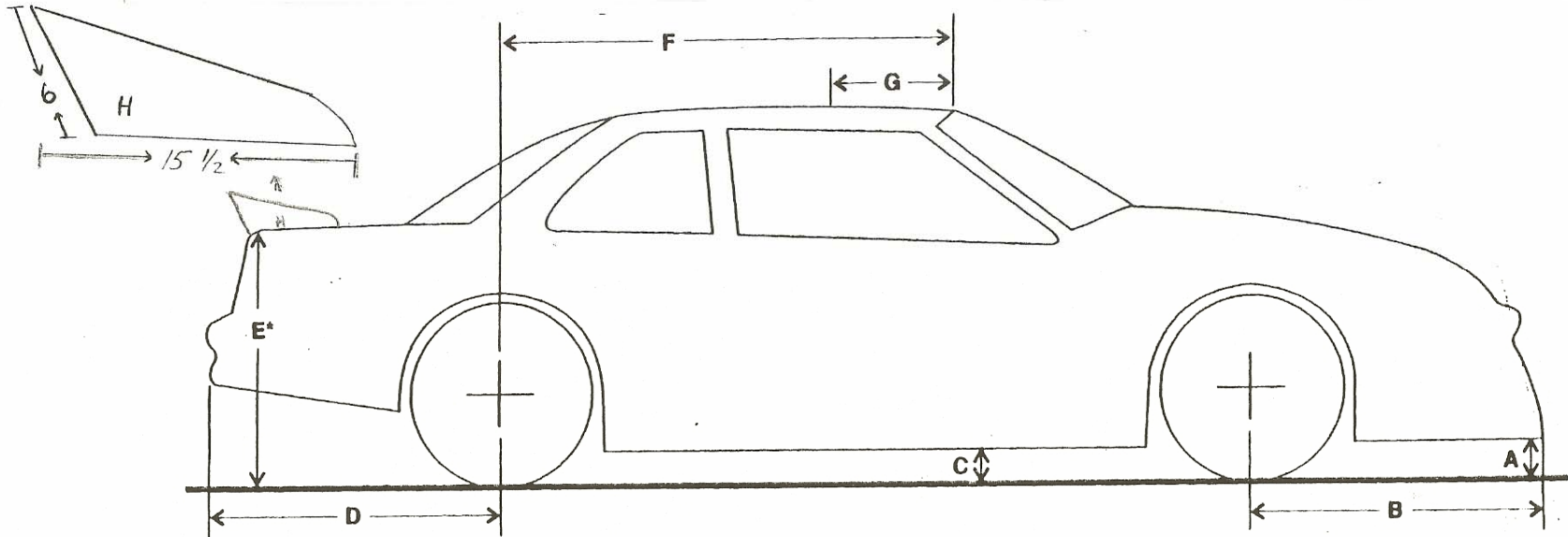


Southern Oregon Speedway 2009 Pro Stock Body Guidelines



These measurements are required for all cars, aftermarket bodies or not.

1. (A.) Minimum 5" ground clearance from ground to lowest point affront spoiler.
2. (B.) Maximum of 45" from center affront wheel to farthest point on front bumper.
3. (C.) No minimum required from door to ground between wheels, side skirts okay if mounted properly and neatly.
4. (D.) Maximum of 54" from center of rear wheel to end of rear bumper.
5. (E.) Maximum of 38" from ground to highest point of rear deck lid.
6. (F & G.) Roof must remain in stock configuration and may not be altered (narrowed or shortened). Roofline must remain stock appearing.
7. (H.) Rear spoiler can be a maximum of a 6" blade, mounted at any angle. Mounting pieces on the sides are to follow the measurements in the diagram shown.
8. (I.) Rear panel must be at least 8" tall and extend from quarter panel to quarter panel.
9. (J.) Window height minimum is 11".